

飞利浦 20CT6050、20CT650/93E

DIAGRAM - SCHALTBIKD - SCHEMA A

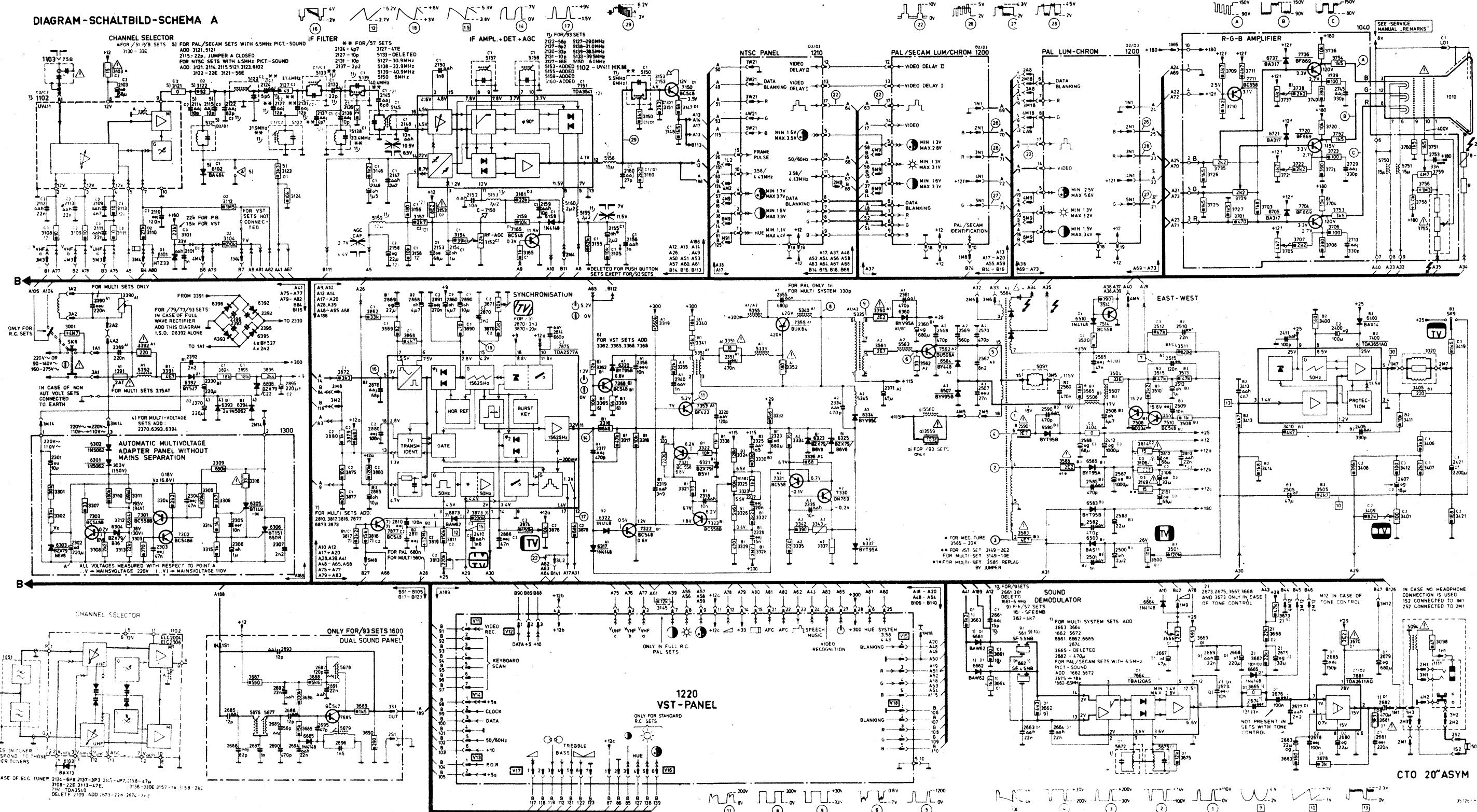


DIAGRAM B STANDARD REMOTE CONTROL

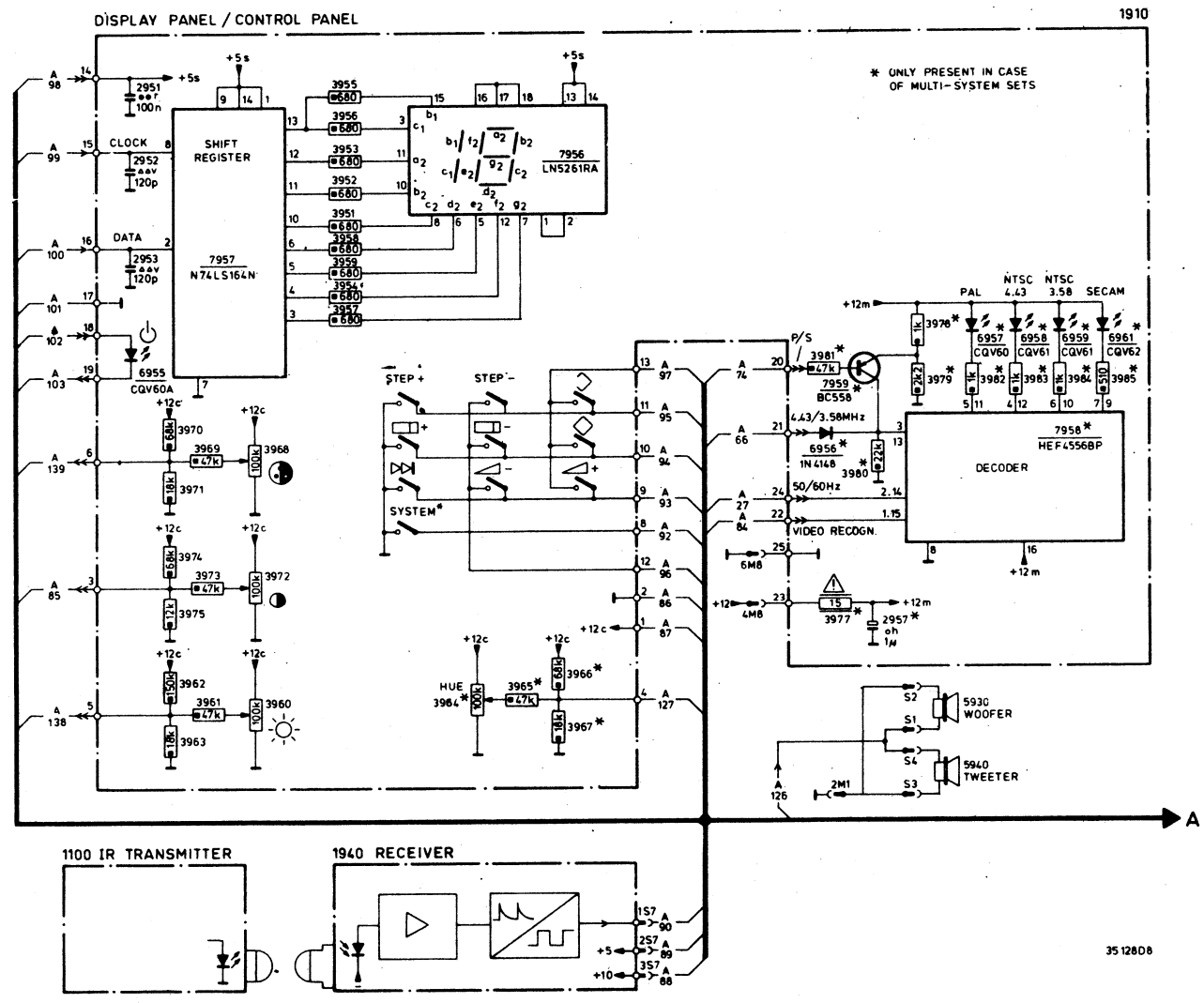
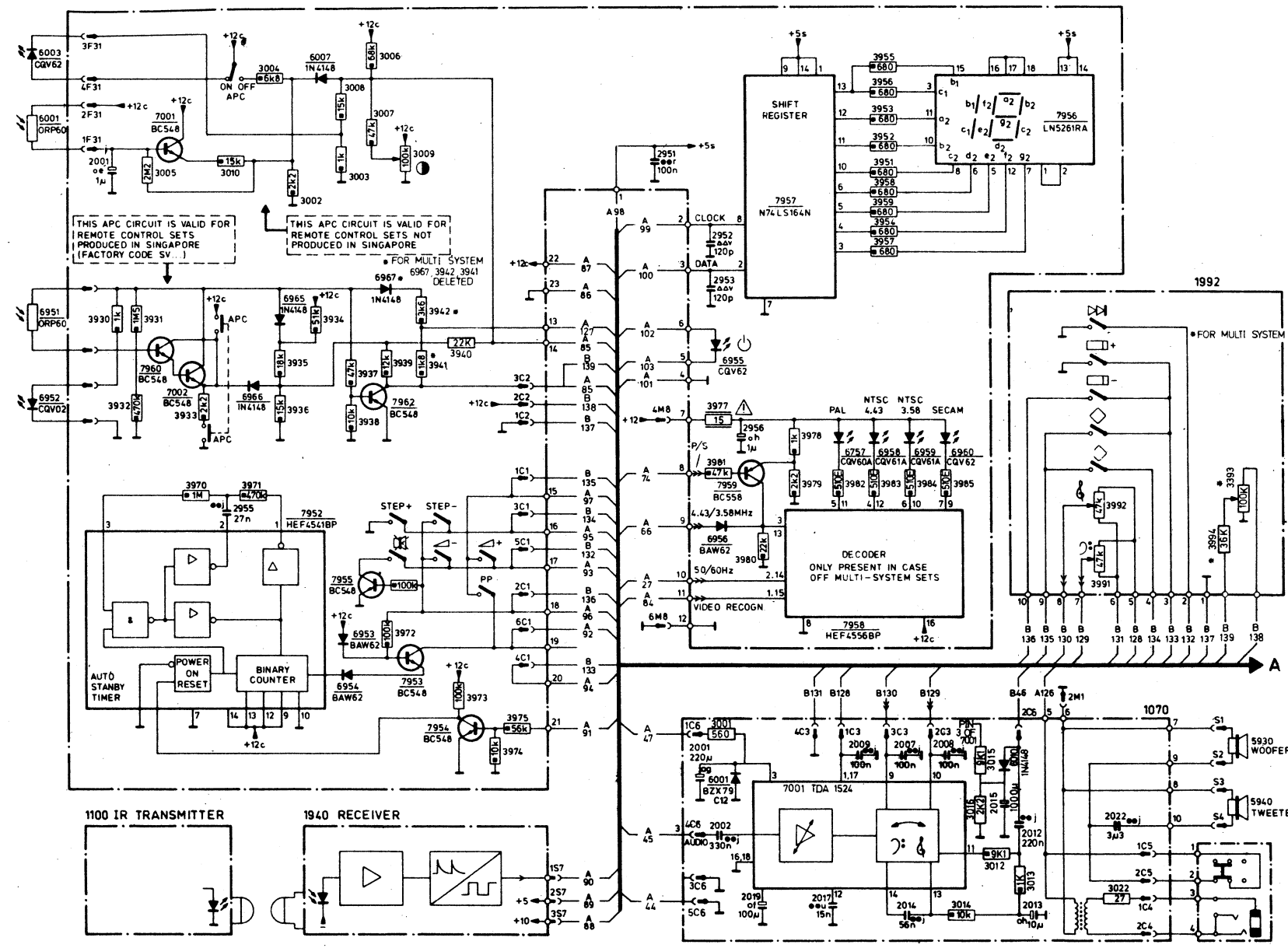
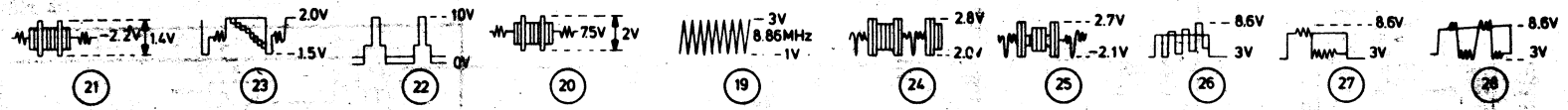


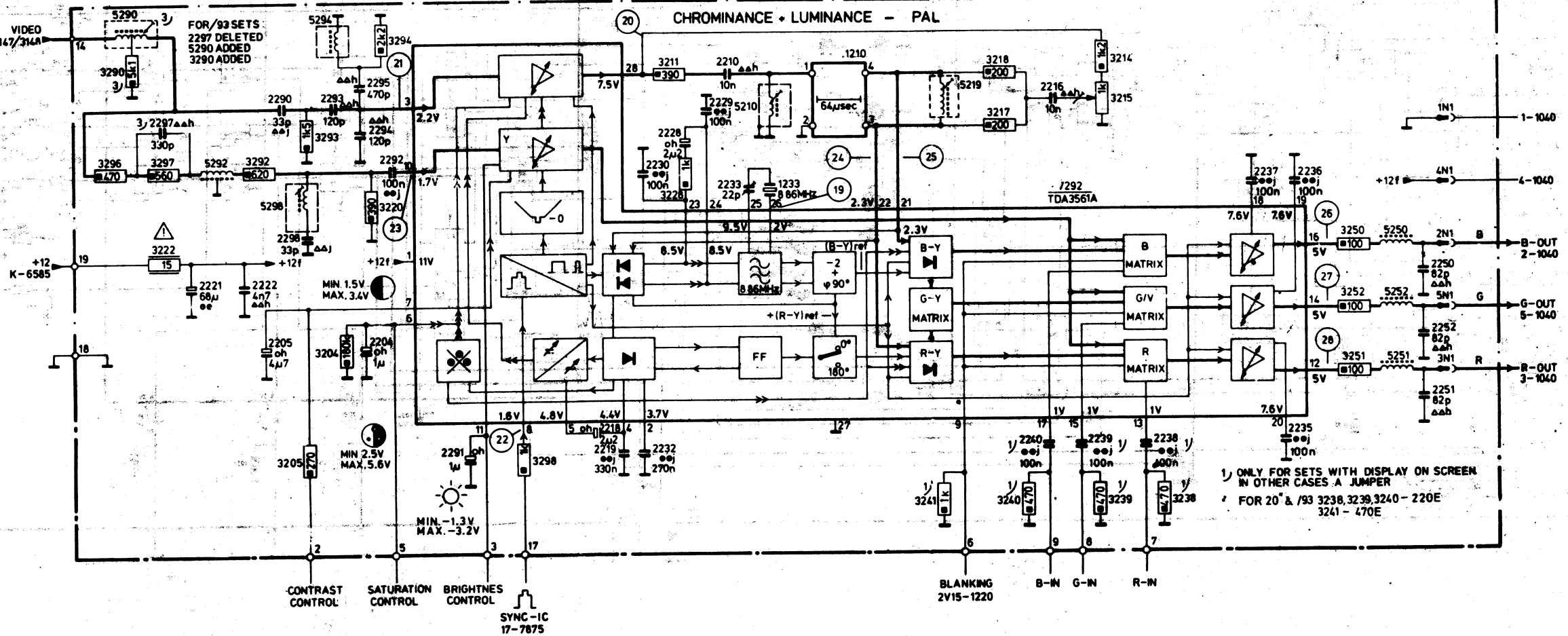
DIAGRAM B FULL REMOTE CONTROL



遥控电路图

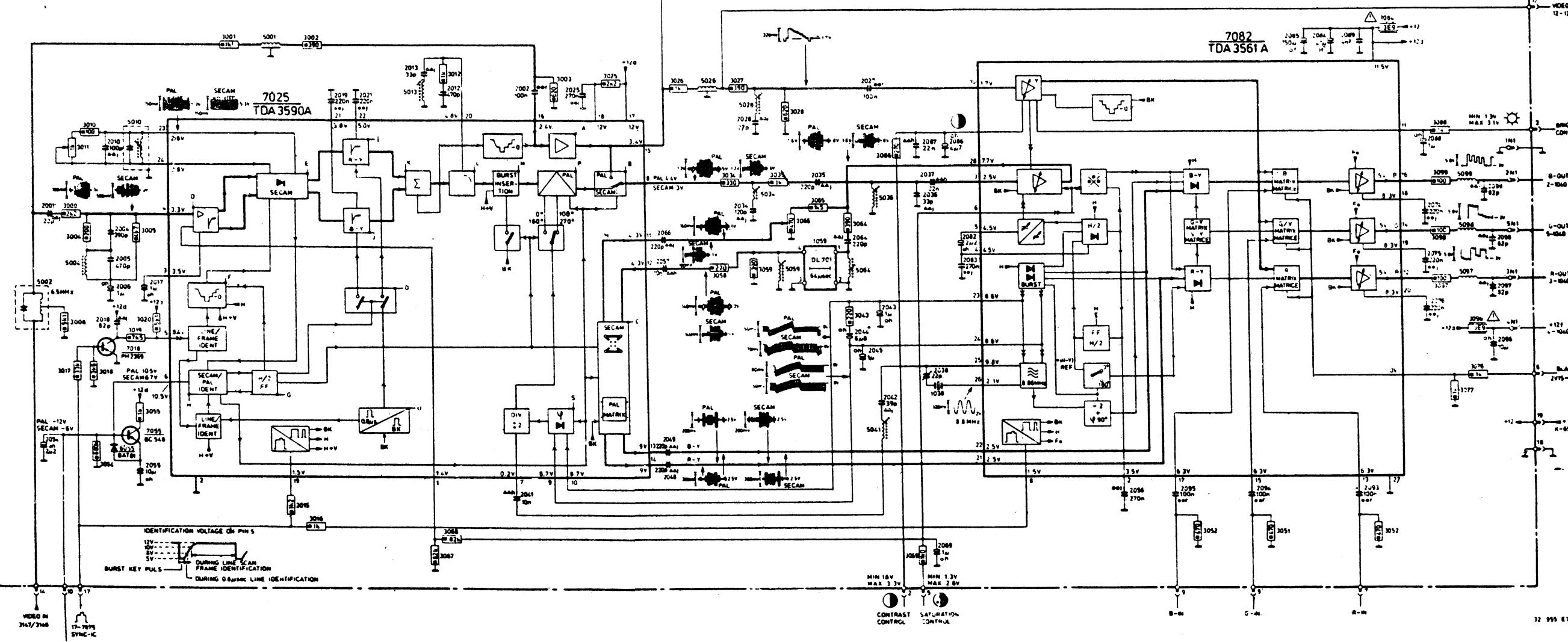


CHROMINANCE + LUMINANCE - PAL



色信号/亮度通道电路板

PAL/SECAM TRANSCODER



PAL/SECAM IDENT TO SYSTEM IDENT PANEL